

# e.sybox<sup>mini</sup>

ELECTRONIC PRESSURISATION SYSTEM



# E.SYBOX MINI

## ELECTRONIC PRESSURISATION SYSTEM



### TECHNICAL DATA

**Operating range:**

capacity up to 80 l/min; head up to 50 m

**Liquid quality requirements:** clean, free from solid or abrasive contaminants, non-viscous, non-aggressive, uncrystallised and chemically neutral.

**Liquid temperature range:** from 0°C to +35°C for domestic use for other use: from 0°C to +40°C

**Maximum suction depth:** 8 meters

**Maximum ambient temperature:** +50°C

**Maximum operating pressure:** 7,5 bar (750 kPa)

**Motor protection rating:** IPX4

**Insulation class:** F

**Installation:** Horizontal or vertical fixed position

**Special executions on request:** alternative types of electrical plug

### APPLICATIONS

E.SYBOX mini is the DAB compact automatic pressurisation system for the water supply of a single dwelling. E.SYBOX mini guarantees the comfort of constant pressure (Pressure Set Point adjustable from 1 up to 5 bar) inside the system, and energy savings thanks to the inverter technology. Suitable for use with drinking water, in domestic systems, and in gardening applications. E.SYBOX mini does not require any additional components for its installation.

### CONSTRUCTIONAL FEATURES

It consists of a high frequency self-priming double impeller pump, management inverter electronics, pressure and flow sensors, adjustable high resolution LCD display with 1 litre built-in expansion vessel, and cartridge check valve.

The double suction and delivery ports allow both vertical and horizontal installation. Thanks to its compact sizes, installation is also possible in difficult places without high air exchange.

The E.SYWALL wall bracket allows wall installation, saving even more room.

E.SYBOX MINI is a self-priming pump with a capability of 8 metres in less than 5 minutes.

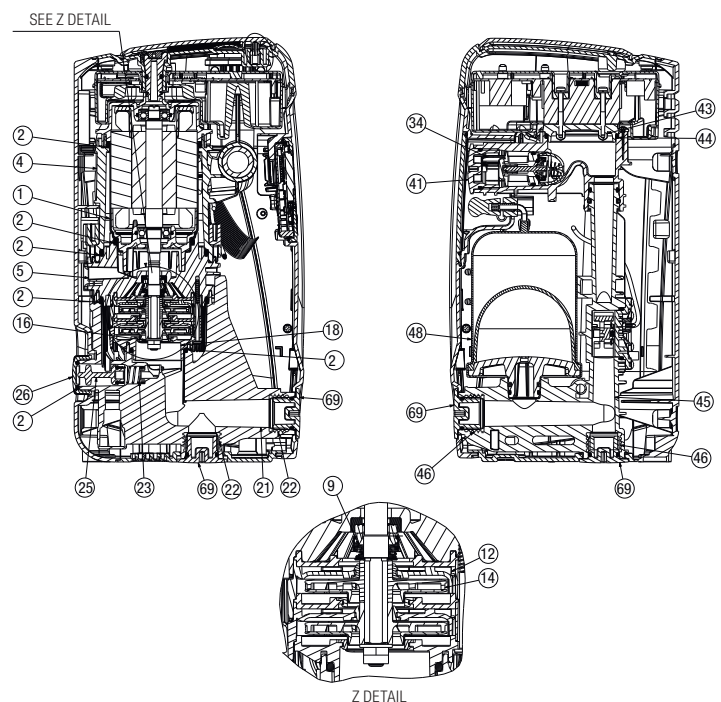
The water cooled motor, the anti-vibration feet and the electronics, make this product totally comfortable and compact.

Fitted with all the safety protections, as well as the protections for the safeguard of the pump. Particularly, the dry run, and the antifreeze protections.

All the parameters and the operating status can be displayed and set on the high resolution LCD display.

### MATERIALS

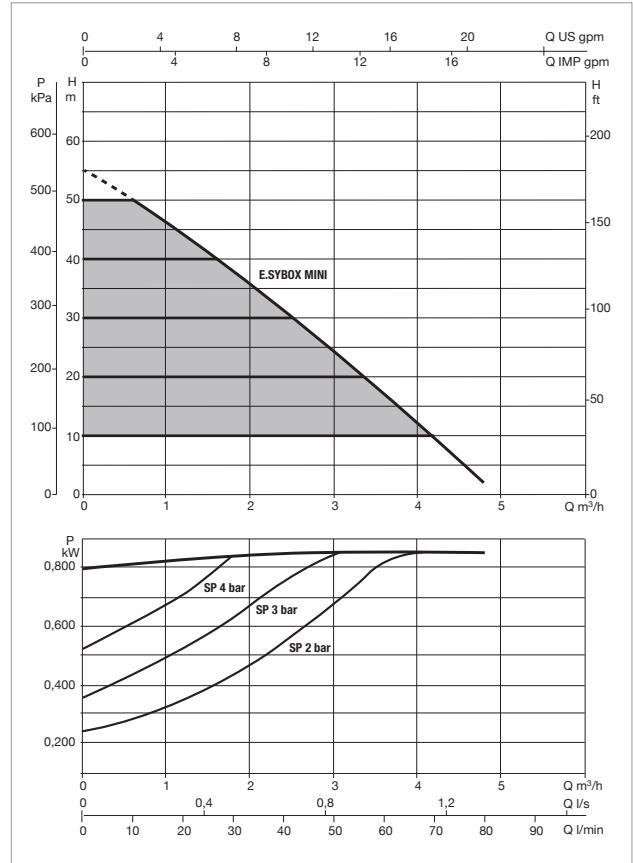
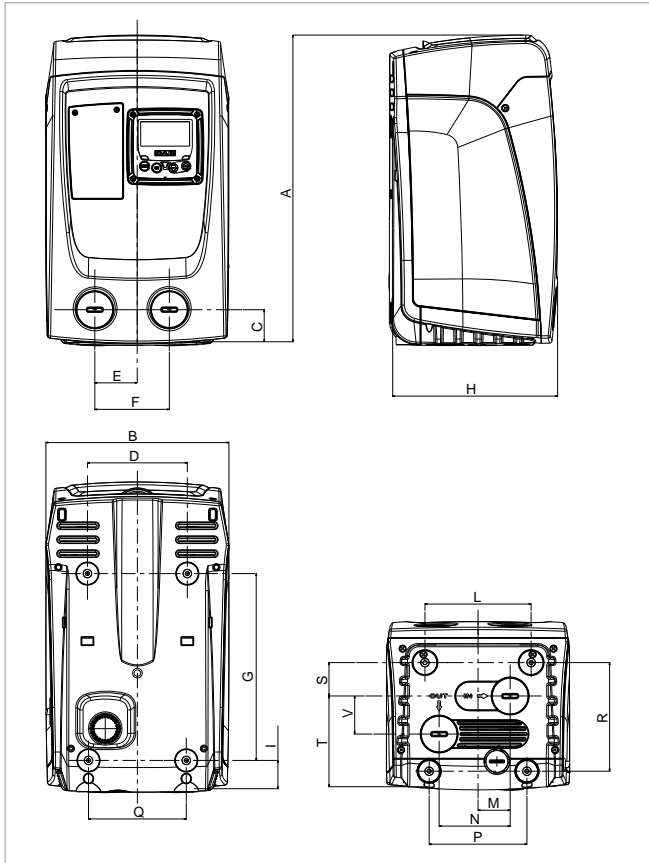
N°	PARTS	MATERIALS
1	MOTOR SLEEVE	STAINLESS STEEL AISI 304
2	O-RING	NBR
4	MOTOR BODY	PP OMO 30% GF
5	MECHANICAL SEAL DISC	PA 6.6 30% GF
9	MECHANICAL SEAL	CARBON IMPREGNATED RESIN/ SILICON CARBIDE / NBR
12	DIFFUSER	NORYL
14	IMPELLER	NORYL
21	SUCTION BODY	PP OMO 30% GF
22	INSERT 1"	BRASS
23	SHUTTER SPRING	STAINLESS STEEL AISI 303
25	SELFPRIMING SHUTTER	POM
26	1" PLUG	PP OMO 30% GF
34	NON RETURN VALVE	TECHNOPOLYMER/RUBBER/STEEL
41	1" 1/4 PLUG	PA 6.6 30% GF
43	HEAT SINK	BRASS
45	DELIVERY BODY	PP OMO 30% GF
46	INSERT 1"	BRASS
48	VESSEL 1L	TECHNOPOLYMER/RUBBER
51	FLOWMETER WHEEL	POM
56	PRESSURE SENSOR BODY	TECHNOPOLYMER
69	1" PLUG	PA 6.6 30% GF



# E.SYBOX MINI - ELECTRONIC PRESSURISATION SYSTEM FOR DOMESTIC WATER SUPPLY

Liquid temperature range: from 0°C a +35°C for domestic use - from 0°C a +40°C for other uses.

Maximum ambient temperature: +50°C



The performance curves are based on the kinematic viscosity values = 1 mm²/s and density equivalent to 1000 kg/m³. Curve tolerance according to ISO 9906.

MODEL	Q=m³/h	0,6	1,2	1,8	2,4	3	3,6	4,2	4,8
	Q=l/min	10	20	30	40	50	60	70	80
<b>E.SYBOX MINI</b>	H (m)	50,0	44,5	38,0	31,0	24,0	17,0	9,6	1,8

MODEL	ELECTRICAL DATA				
	N° IMPELLER	POWER SUPPLY 50/60 Hz	P1 MAX		In A
			kW	HP	
<b>E.SYBOX MINI</b>	2	115V ~ 230V ~	0,85	1,1	8 7

MODEL	A	B	C	D	E	F	G	H	I	L	M	N	P	Q	R	S	T	V	DNA	DNM	PACK DIMENSIONS			GROSS Kg
	L/A	L/B	H																					
<b>E.SYBOX MINI</b>	439	263	46	143	60,7	106,7	267,5	236	40,5	152	46	101,7	140	140	155,5	47,8	130	54,5	1"	1"	300	500	320	14,6

# DNA<sup>®</sup>

## PUMPS SELECTOR



# On-line selection tool



#### DAB PUMPS LTD.

Unit 4 and 5, Stortford Hall Industrial Park,  
Dunmow Road,  
Bishops Stortford,  
Herts  
CM23 5GZ - UK  
salesuk@dwtgroup.com  
Tel. +44 1279 652 776  
Fax +44 1279 657 727



#### DAB PUMPS IBERICA S.L.

Avenida de Castilla nr.1 Local 14  
28830 - San Fernando De Henares - Madrid  
Spain  
info.spain@dwtgroup.com  
Tel. +34 91 6569545  
Fax: +34 91 6569676



#### DAB PUMPS INC.

3226 Benchmark Drive  
Ladson, SC 29456 - USA  
info.usa@dwtgroup.com  
Tel. 1-843-824-6332  
Toll Free 1-866-896-4DAB (4322)  
Fax 1-843-797-3366



#### DAB PUMPS B.V.

Brusselstraat 150  
B-1702 Groot-Bijgaarden - Belgium  
info.belgium@dwtgroup.com  
Tel. +32 2 4668353  
Fax +32 2 4669218



#### DAB PRODUCTION HUNGARY KFT.

H-8800  
Nagykanizsa, Buda Ernó u.5  
Hungary  
Tel. +36 93501700



#### DWT SOUTH AFRICA

Podium at Menlyn,  
3rd Floor, Unit 3001b, 43 Ingersol Road,  
C/O Lois and Atterbury street,  
Menlyn, Pretoria, 0181 - South-Africa  
info.sa@dwtgroup.com  
Tel. +27 12 361 3997  
Fax +27 12 361 3137



#### DAB PUMPS POLAND Sp. z o.o.

Mokotow Marynarska  
ul. Postępu 15C  
02-676 Warszawa - Poland  
Tel. +48 223 81 6085



#### DAB PUMPS CHINA

No.40 Kaituo Road, Qingdao Economic & Technological  
Development Zone  
Qingdao City, Shandong Province - China  
PC: 266500  
info.china@dwtgroup.com  
Tel. +8653286812030-6270  
Fax +8653286812210



#### DAB PUMPS B.V.

Albert Einsteinweg, 4  
5151 DL Drunen - Nederland  
info.netherlands@dwtgroup.com  
Tel. +31 416 387280  
Fax +31 416 387299



#### DAB UKRAINE Representative Office

Regus Horizon Park  
4 M. Hrinchenka St, suit 147  
03680 Kiev - Ukraine  
Tel. +38 044 391 59 43



#### DAB PUMPEN DEUTSCHLAND GmbH

Tackweg 11  
D - 47918 Tönisvorst - Germany  
info.germany@dwtgroup.com  
Tel. +49 2151 82136-0  
Fax +49 2151 82136-36



#### OOO DAB PUMPS

Novgorodskaya str. 1, block G  
office 308, 127247, Moscow - Russia  
info.russia@dwtgroup.com  
Tel. +7 495 122 0035  
Fax +7 495 122 0036



#### DAB PUMPS DE MÉXICO, S.A. DE C.V.

Av Gral Álvaro Obregón 270, oficina 355  
Hipódromo, Cuauhtémoc 06100  
México, D.F.  
Tel. +52 55 6719 0493